



Zhaqa

INTERLUX™ - CLASSIC SQ
 INTERCHANGEABLE
 LED LINEAR LUMINARIES

INTERLUX - CLASSIC SQ

Advantages

- Innovative design
- 50,000 hours rated life
- 5 Year Warranty
- Philips Fortimo LED Lines
- Ideal replacement for traditional fluorescent lights.
- Grid ceiling mount



Grid Ceiling Mount

**Uniform diffused Light
 Zhaqa Compliant**

Interchangeable Future Proof Design

ENERGY EFFICIENT AND INNOVATIVE DESIGN

The Interlux™ range of Linear LED Lights offers the consumer a future proof LED light that is suitable for installation in a broad variety of commercial, industrial and domestic applications.

These lights contain quality Philip's lines that deliver high quality white light, with excellent colour rendering and colour consistency. These lines are made to Zhaqa interface specifications that enables the interchangeability of light sources from a variety of suppliers.

The Interlux™ Classic has been purposely designed for offices, schools and commercial spaces. The Classic provides extra low glare performance and can be mounted on the ceiling or within a suspended ceiling.

LED LINEAR LIGHTS

TECHNICAL SPECIFICATIONS

MODEL:	ILUX-C-59-G-40-32	ILUX-C-59-G-40-42	ILUX-C-59-G-40-52	ILUX-C-59-G-40-62
WATTAGE:	24.93 W	32.63 W	41.37 W	50.70 W
INPUT VOLTAGE:	AC 240V-50HZ	AC 240V-50HZ	AC 240V-50HZ	AC 240V-50HZ
COLOUR TEMP:	4000K	4000K	4000K	4000K
CRI:	>80	>80	>80	>80
POWER FACTOR:	> 0.933	>0.953	>0.966	>0.966
RATED LIFE:	50,000+ HRS	50,000+HRS	50,000+HRS	50,000+HRS
OPERATING TEMP:	-20° - +40°C	-20° - +40°C	-20° - +40°C	-20° - +40°C
DELIVERED LUMENS:	2068.43 LM	2678.19 LM	3346.69 LM	3997.59 LM
LIGHT SOURCE:	4 X PHILIPS FORTIMO LED LINES		4 X PHILIPS FORTIMO LED LINES	
DELIVERED EFFICACY:	82.97 LM/W	82.08 LM/W	80.90 LM/W	78.85 LM/W
DRIVER:	XITANIUM 75W	XITANIUM 75W	XITANIUM 75W	XITANIUM 75W
MOUNT:	GRID CEILING MOUNT		GRID CEILING MOUNT	
ENVIRONMENT:	INTERIOR	INTERIOR	INTERIOR	INTERIOR
WARRANTY:	5 YEARS	5 YEARS	5 YEARS	5 YEARS
CERTIFICATIONS:				

SUITABLE FOR: Commercial Lighting Industrial Lighting Retail Lighting Domestic Lighting

DIMENSIONS:

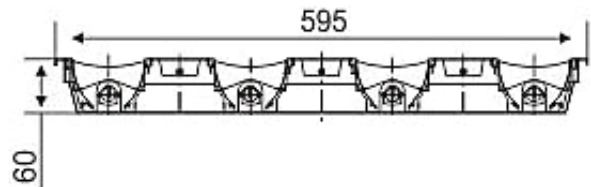
MODEL: ILUX-C-59-G-40-32/42/52/62

HEIGHT: 60 mm

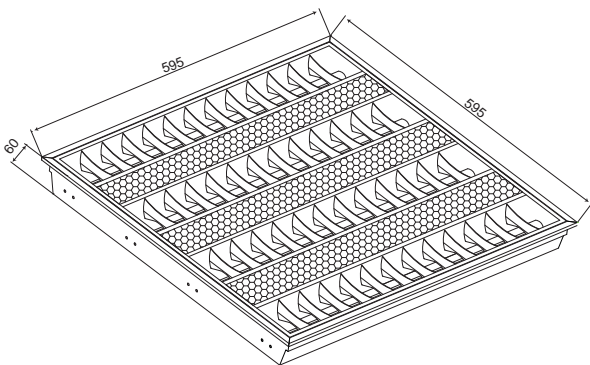
LENGTH: 595 mm

WIDTH: 595 mm

FITTING SIZE: 595 x 595 mm



*Note: For IES files please contact our office.



To view product
on-line
SCAN HERE



Correct at time of printing. Specifications are subject to change at any time without notice. Trademarks are the property of Lumaled Pty Ltd. © 2015

140715

lumaled
L.E.D LIGHTING
Light on Energy, Longer on Life®



Head Office

A: 42 Union Street, Wickham NSW 2293

E: sales@lumaled.com.au

W: www.lumaled.com.au

ABN: 63 146 948 272

P: +61 2 4961 4247

F: +61 2 4961 5535

Victoria Office

A: PO Box 349

Adamstown NSW 2289

E: seamus@lumaled.com.au

W: www.lumaled.com.au

ABN: 21 600 395 355

M: 0448 013 803